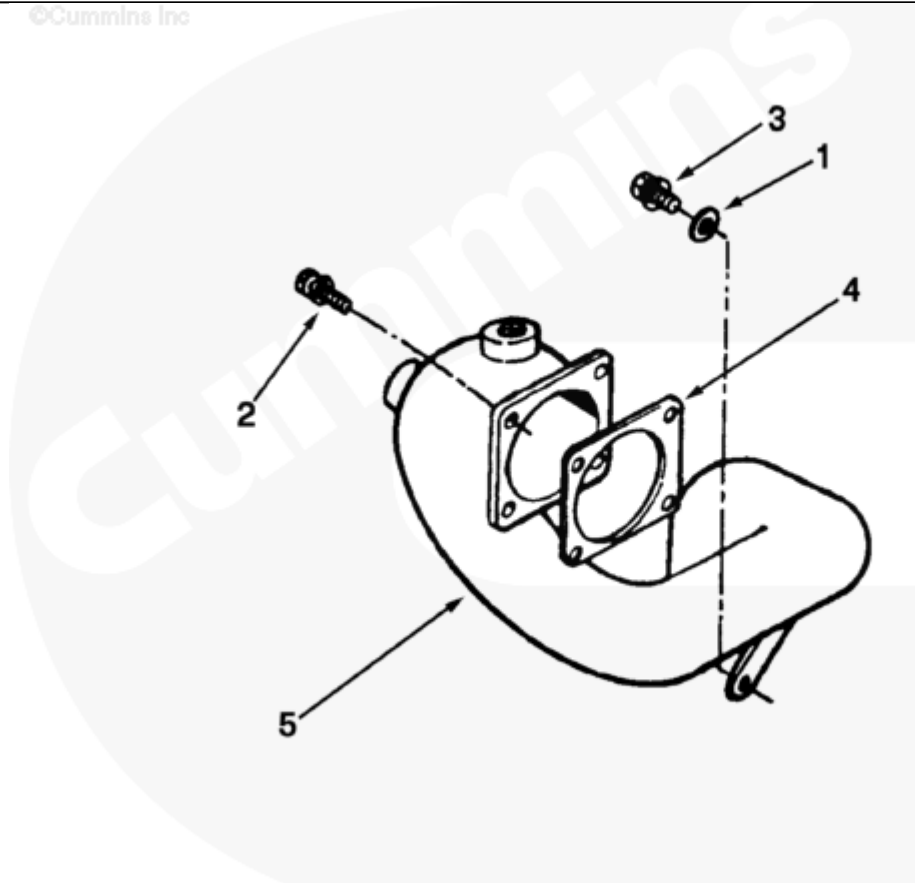




Parts Catalog - Option Detail

Electronic Parts Catalog - Option Detail				
Option	Group	Graphic	Film Card	Date
WI1044	08.07.1	wi100ga	F	15-FEB-94
Engines	NH/NT 855, NT495, NT743, NTA855 N106			

©Cummins Inc



[SMALL](#) | [MEDIUM](#) | [LARGE](#)

Cart	Ref No	Part Number	Part Description	Required	Remarks
View My Cart					
		WI1044	Water Inlet Connection		
					Water Inlet Connection
					One piece water inlet
					connection. Has 2 1/2 inch
					O.D. hose connection, located
					between oil filter and

					alternator, pointing straight
					down. Includes one 1/2 inch
					NPT hole, and one 3/4 inch
					hole reduced to 1/2 inch NPT
					hole, and one 1inch hole,
					plugged.
<input type="checkbox"/>	1	63842	Plain Washer	1	3/8 in.
<input type="checkbox"/>	2	3010595	Captive Washer Cap Screw	4	3/8 - 16 X 1 in.
<input type="checkbox"/>	3	3012470	Captive Washer Cap Screw	1	3/8 - 16 X 3/4 in.
<input type="checkbox"/>	4	3024960	Connection Gasket	1	
<input type="checkbox"/>	5	3028281	Water Transfer Connection	1	